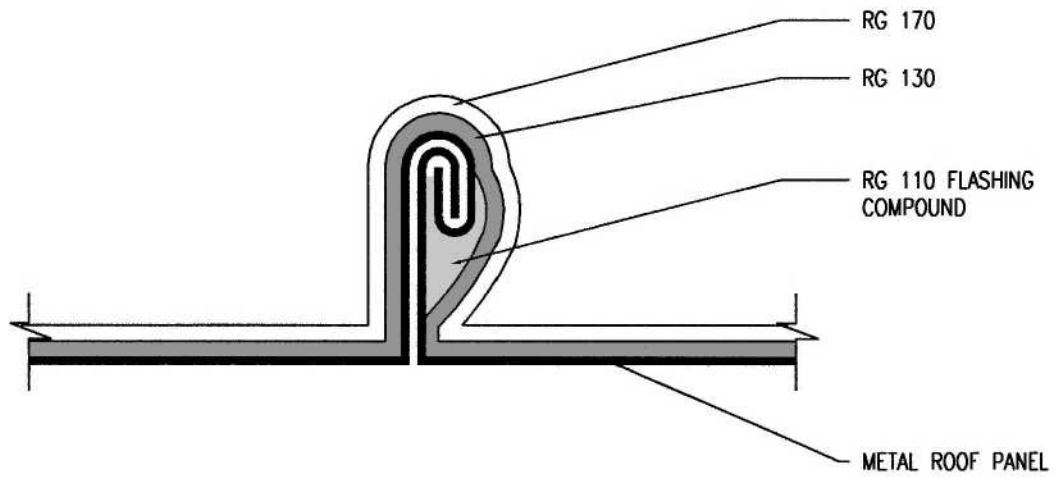


NOTE: 4" SP TAPE CAN BE USED IN PLACE OF 6" PS EMBEDDED IN FLASHING COMPOUND. IF SP TAPE IS USED NO FLASHING COMPOUND IS REQUIRED AT HORIZONTAL SEAMS.

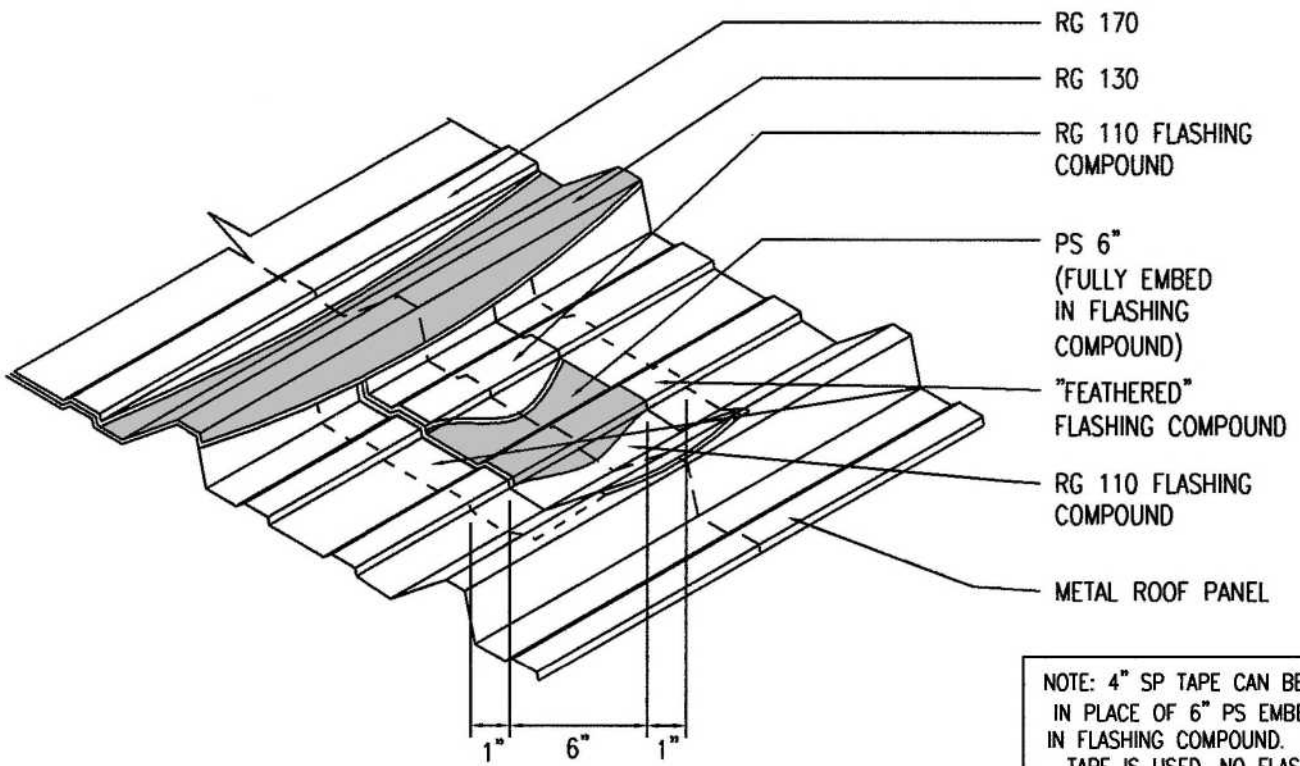
HORIZONTAL SEAM
NOT TO SCALE

ROOF GUARDIAN *Technologies* →



VERTICAL SEAM
NOT TO SCALE

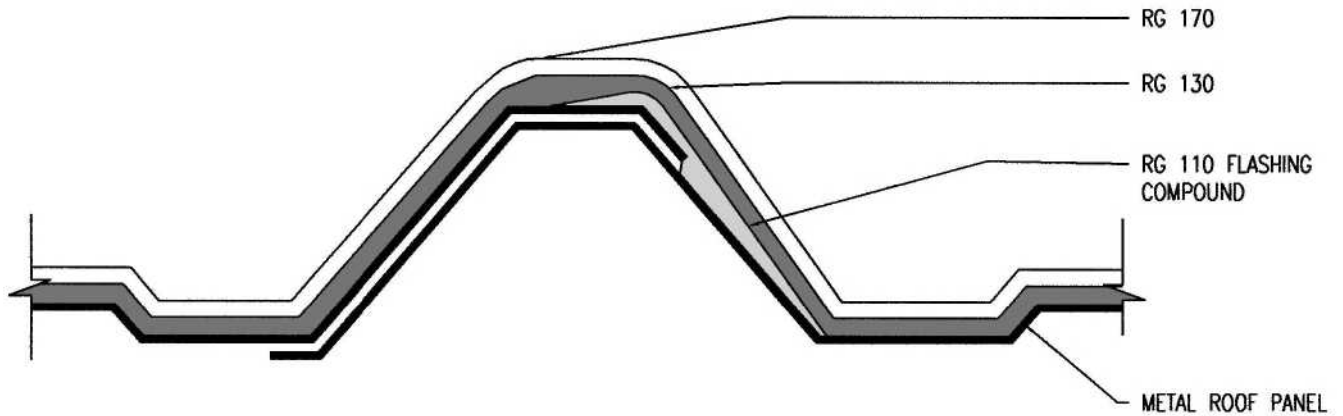
ROOF GUARDIAN *Technologies* →



NOTE: 4" SP TAPE CAN BE USED IN PLACE OF 6" PS EMBEDDED IN FLASHING COMPOUND. IF SP TAPE IS USED NO FLASHING COMPOUND IS REQUIRED AT HORIZONTAL SEAMS.

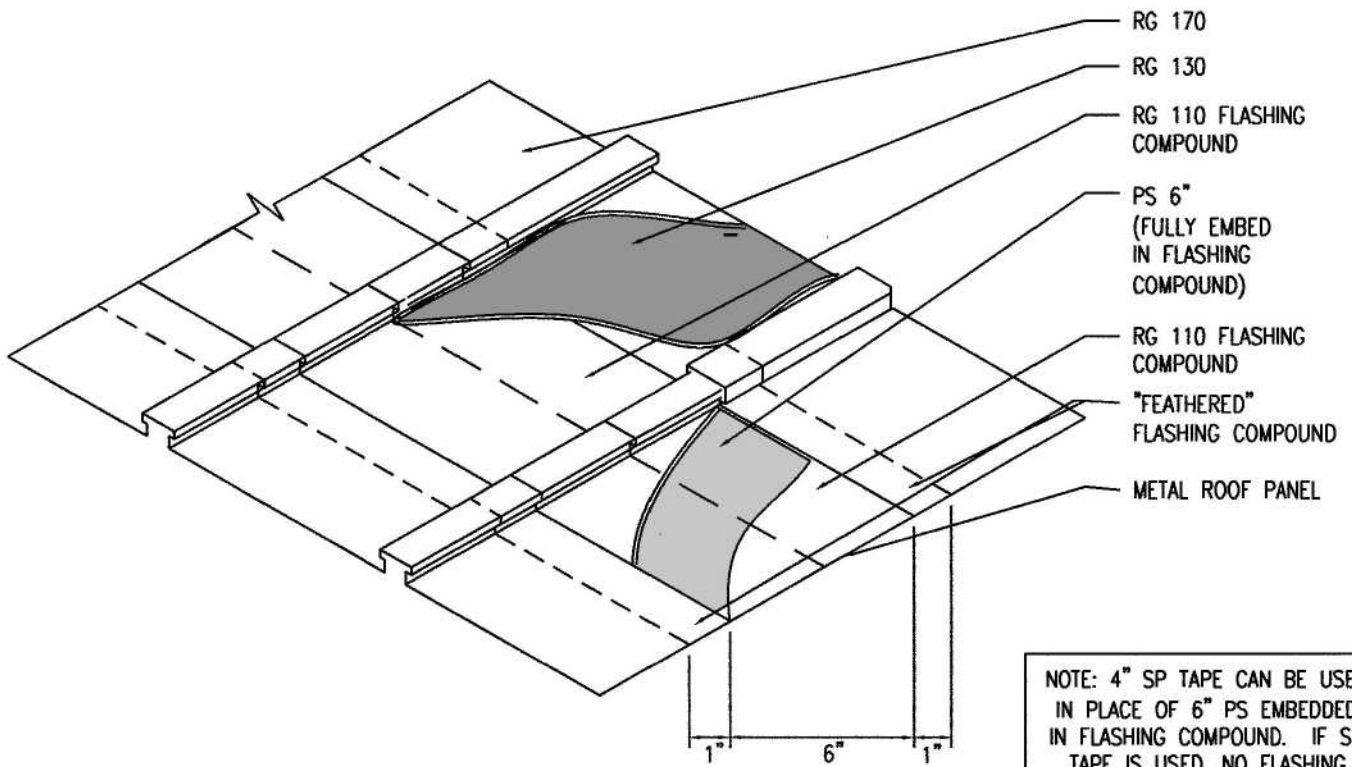
HORIZONTAL SEAM
NOT TO SCALE

ROOF GUARDIAN Technologies



VERTICAL SEAM
NOT TO SCALE

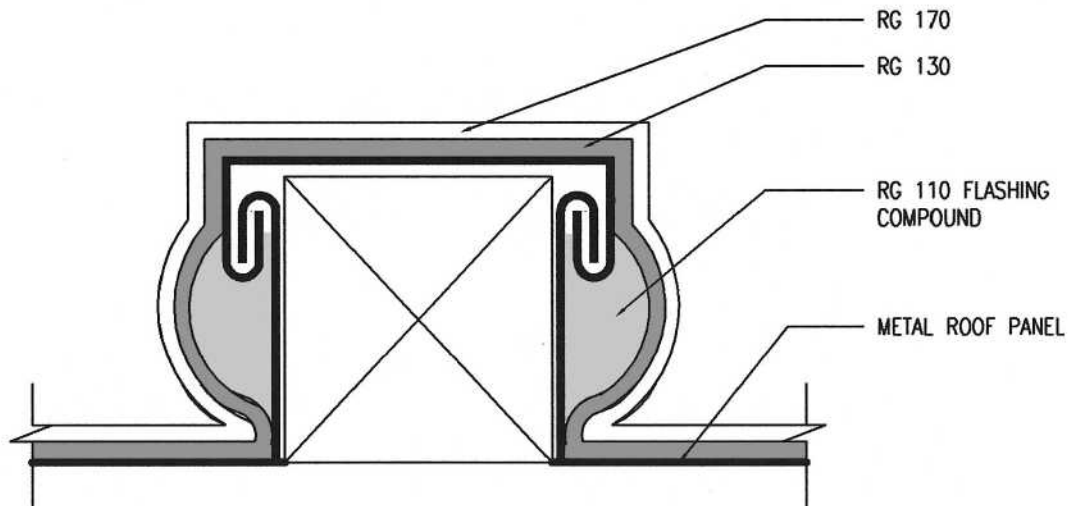
ROOF GUARDIAN Technologies



NOTE: 4" SP TAPE CAN BE USED IN PLACE OF 6" PS EMBEDDED IN FLASHING COMPOUND. IF SP TAPE IS USED NO FLASHING COMPOUND IS REQUIRED AT HORIZONTAL SEAMS.

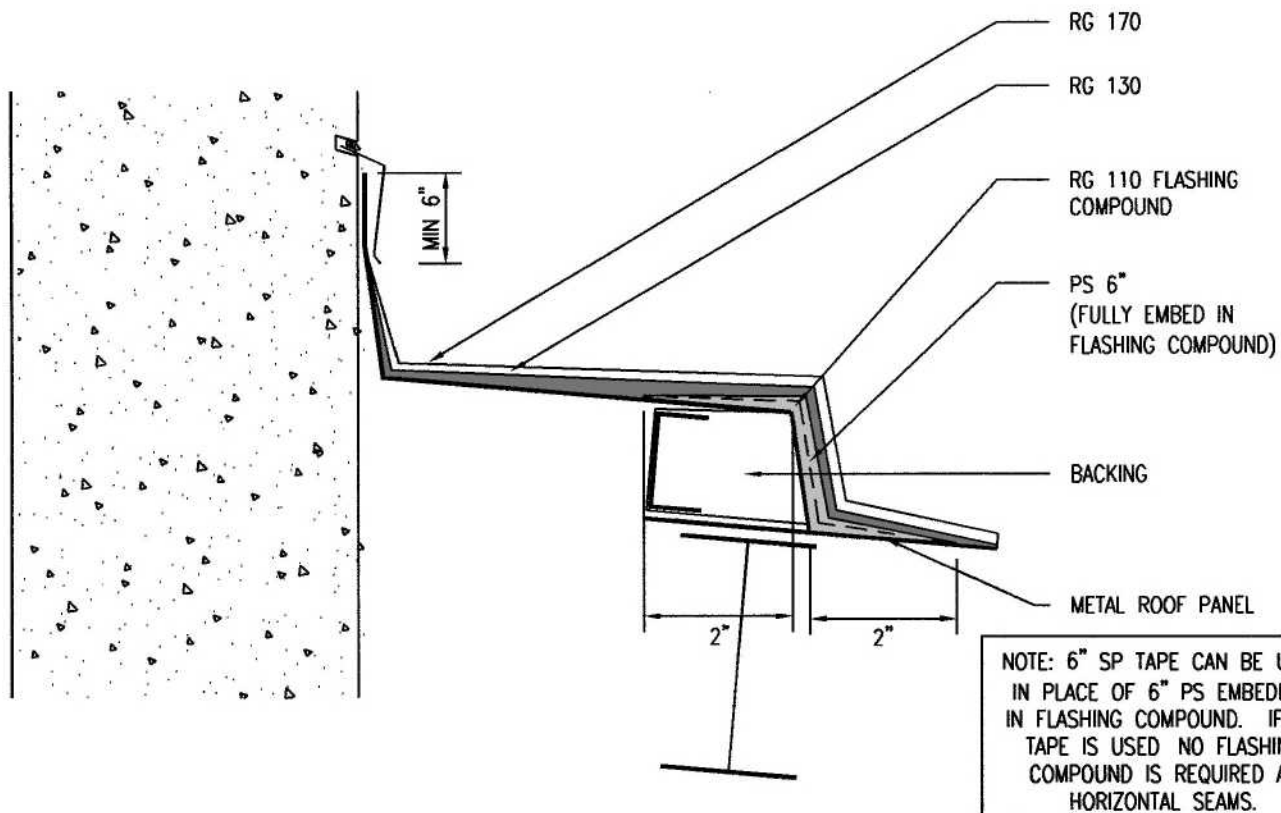
HORIZONTAL SEAM
NOT TO SCALE

ROOF GUARDIAN Technologies 



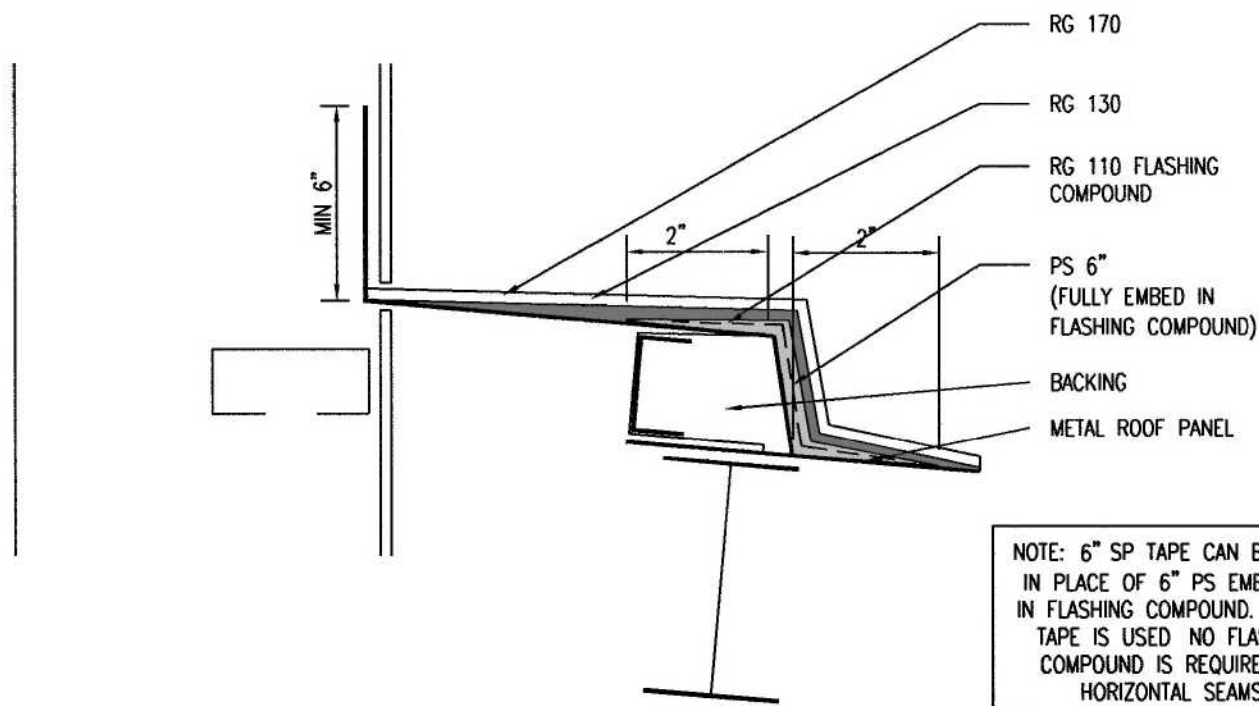
VERTICAL SEAM
NOT TO SCALE

ROOF GUARDIAN Technologies 



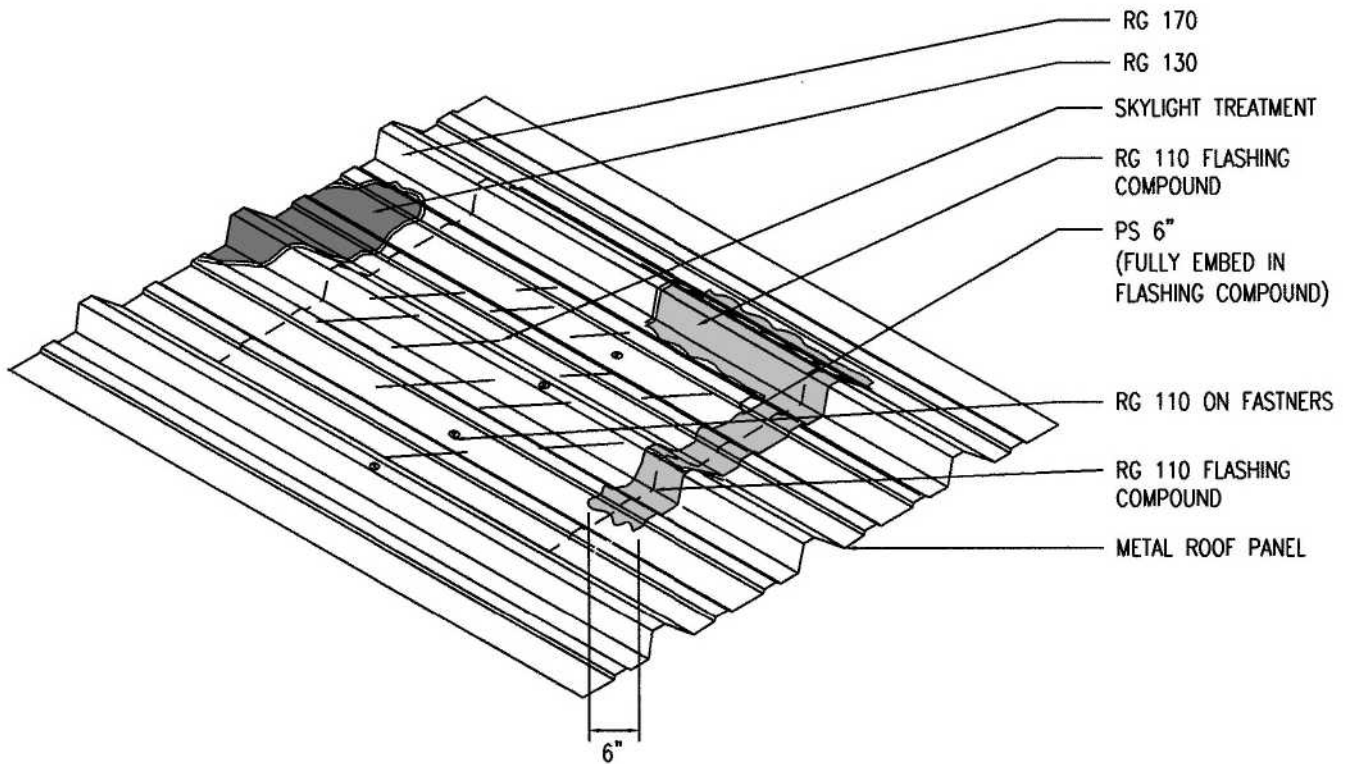
CONCRETE TIE-IN
NOT TO SCALE

ROOF GUARDIAN Technologies



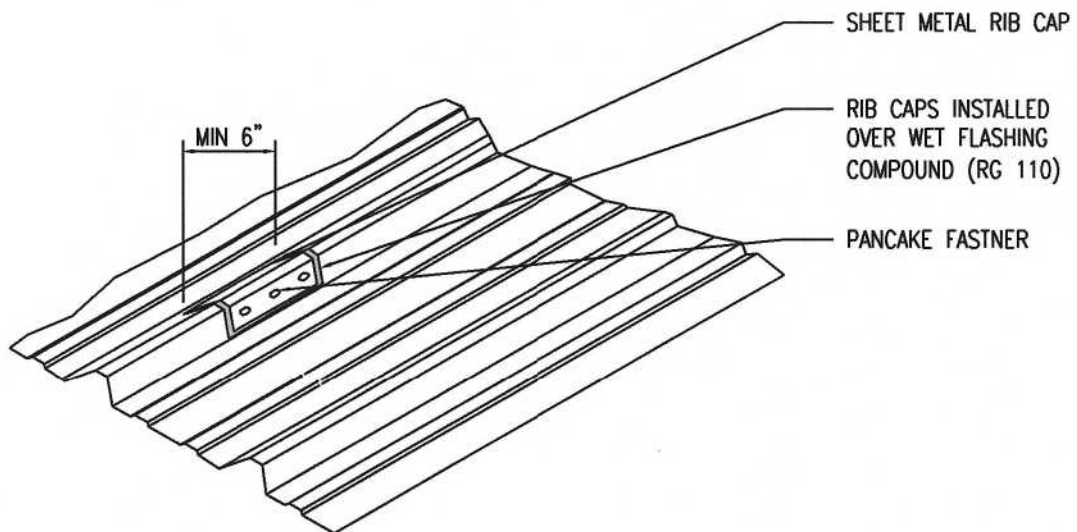
METAL TIE-IN
NOT TO SCALE

ROOF GUARDIAN Technologies



FLUSH SKYLIGHT
NOT TO SCALE

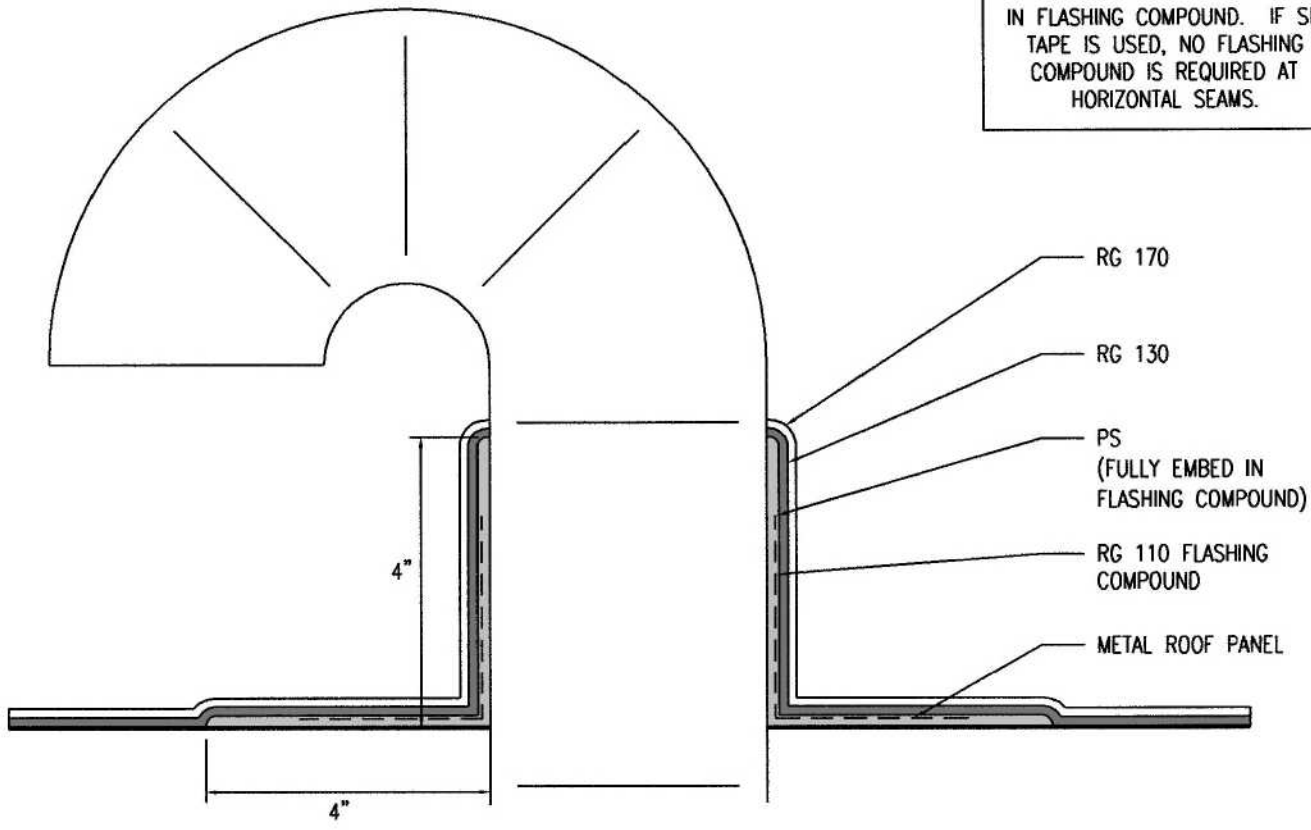
ROOF GUARDIAN Technologies 



CURB SKYLIGHT
NOT TO SCALE

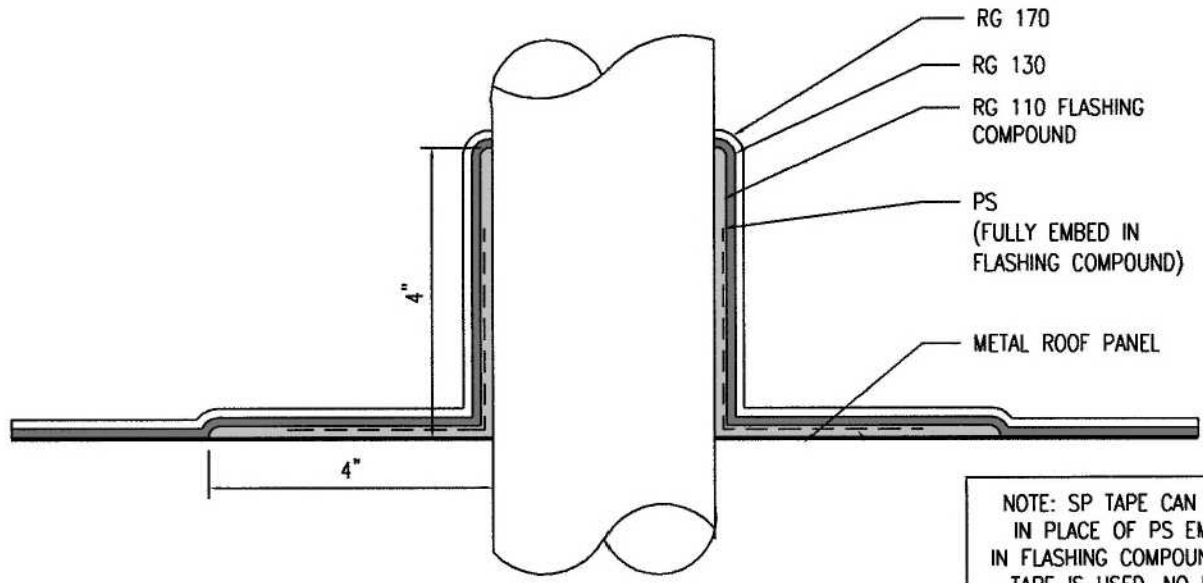
ROOF GUARDIAN Technologies 

NOTE: SP TAPE CAN BE USED IN PLACE OF PS EMBEDDED IN FLASHING COMPOUND. IF SP TAPE IS USED, NO FLASHING COMPOUND IS REQUIRED AT HORIZONTAL SEAMS.



DUCT PENETRATION
NOT TO SCALE

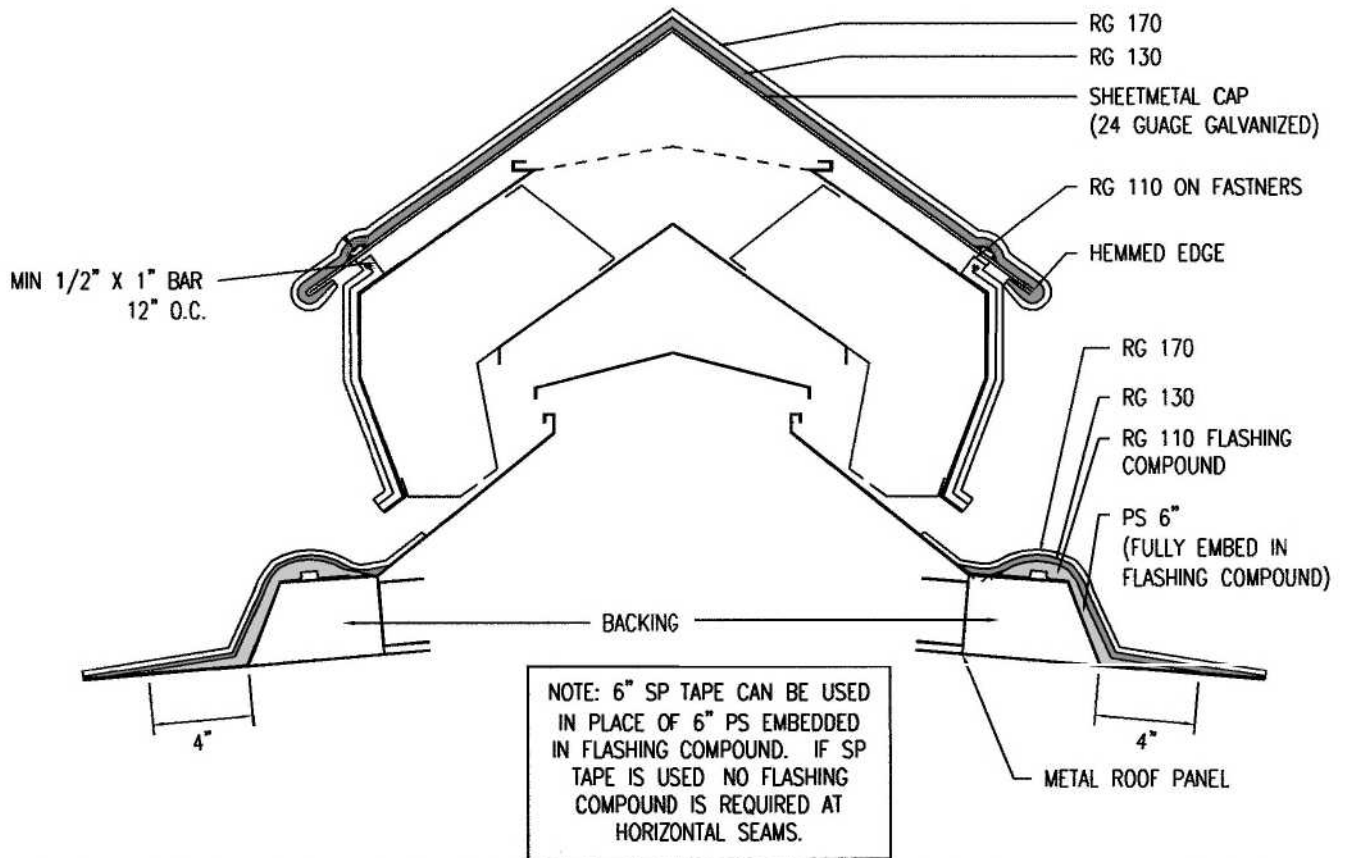
ROOF GUARDIAN Technologies →



NOTE: SP TAPE CAN BE USED IN PLACE OF PS EMBEDDED IN FLASHING COMPOUND. IF SP TAPE IS USED, NO FLASHING COMPOUND IS REQUIRED AT HORIZONTAL SEAMS.

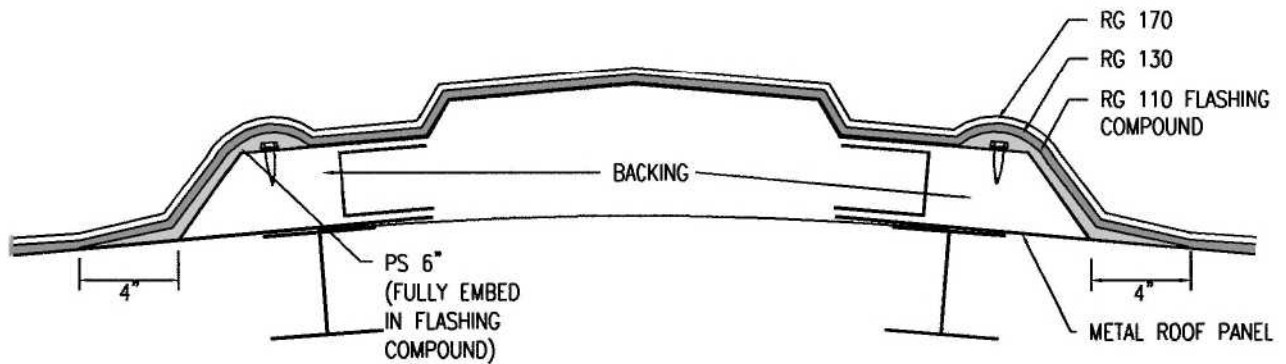
PIPE PENETRATION
NOT TO SCALE

ROOF GUARDIAN Technologies →



RIDGE CAP
NOT TO SCALE

ROOF GUARDIAN Technologies



RIDGE VENT
NOT TO SCALE

ROOF GUARDIAN Technologies