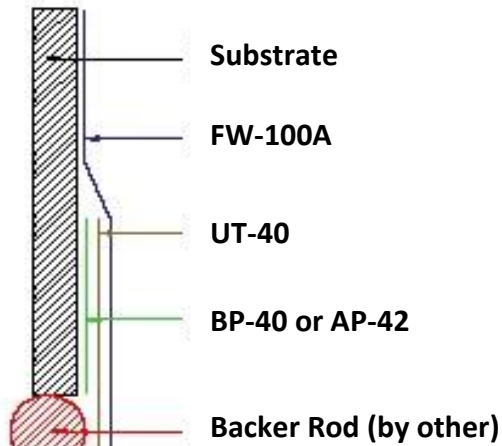
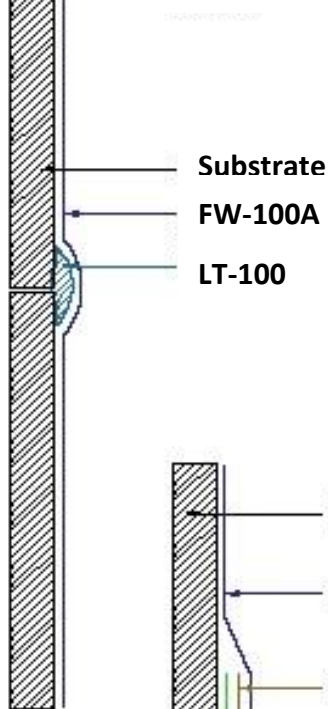


**Option #1. (for joints less than ¼" gap)**



**Option #2. (for joints with ¼" gap or greater)**

**DEFLECTION (board to board) JOINT DETAIL**

Wall Guardian FW-100A System, Not to Scale



830-995-5177

[info@stscoatings.com](mailto:info@stscoatings.com)

Manufactured by

Detail is intended to be a guide for air barrier installation only. As a manufacturer of construction materials, STS Coatings does not assume responsibility for errors in design or engineering. Architect or owners representative must verify suitability of details.

Rev: 052016

